

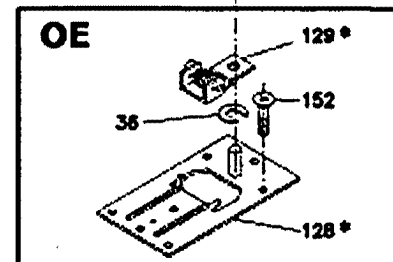
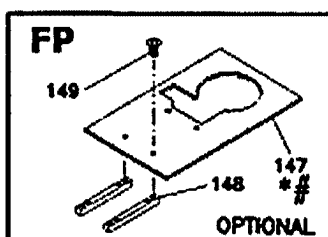
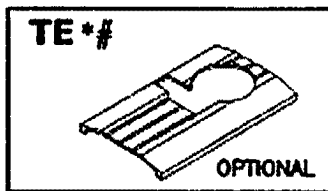
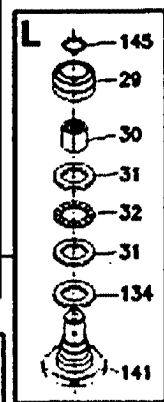
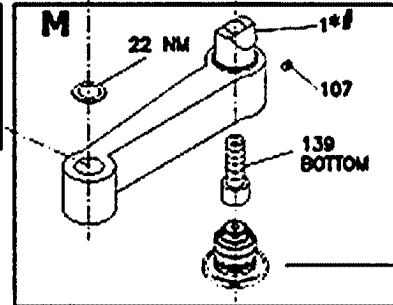
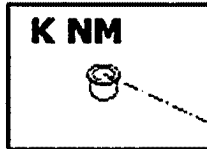
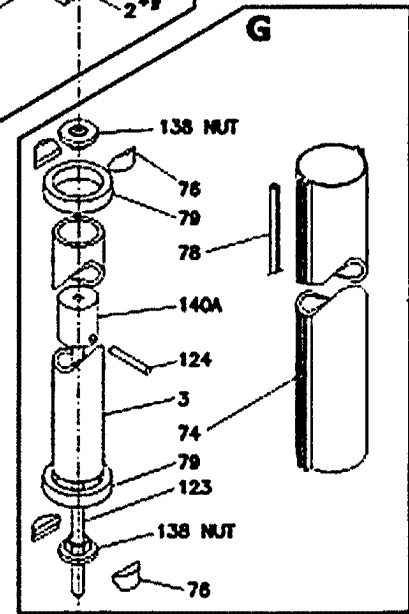
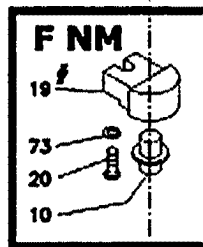
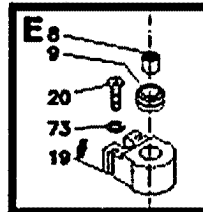
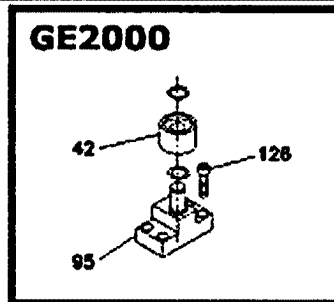
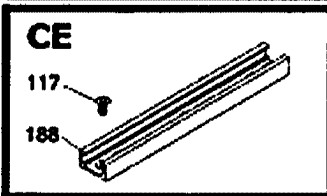
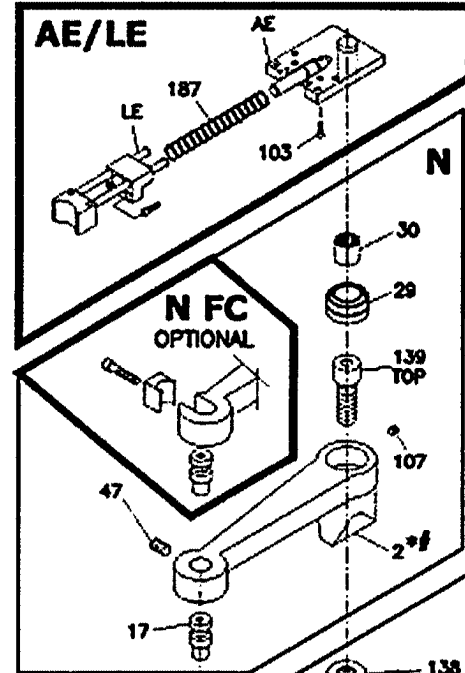
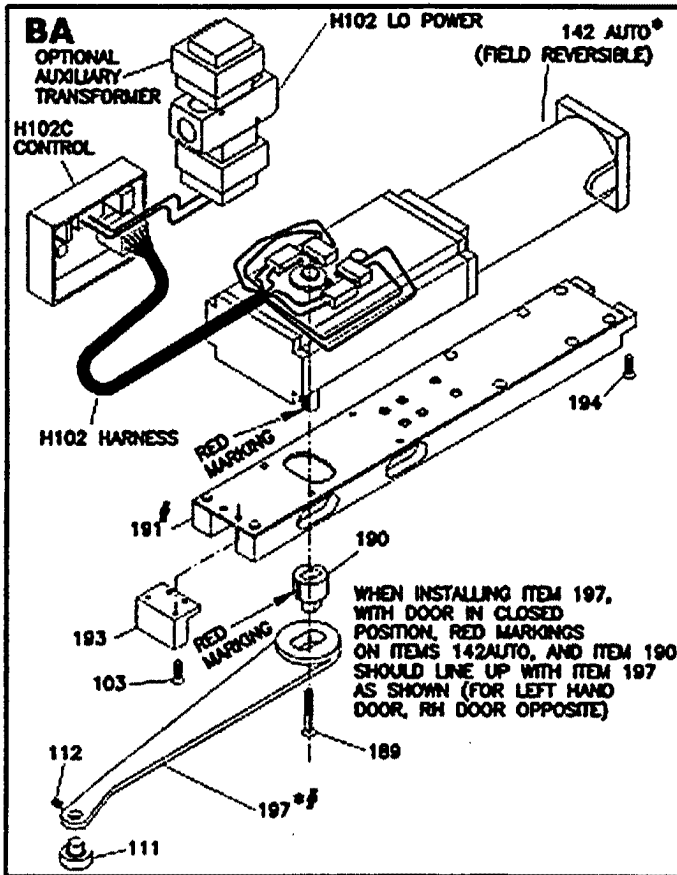
**WIKK**

**Balanced Door Parts**

PACIFIC DOOR & CLOSER CO., INC.  
 725 Cesar Chavez, San Francisco, CA 94124  
 Phone: (800) 995-0573  
 Fax: (800) 962-2893  
 www.pacificdoorcloser.com

**WIKK EXCEL  
 AUTOMATIC**

**BALANCED HARDWARE  
 EXPOSED HINGE TUBE**



**NOTES:**  
 1. LEFT HAND SHOWN  
 RIGHT HAND OPPOSITE  
 2. PARTS ARE SHOWN  
 WITH THE DOOR IN  
 THE CLOSED POSITION  
 3. \* = HANDED PART  
 4. # = FINISH  
 DEPENDENT

**PARTS INSIDE BOLD  
 BORDERS ARE SOLD  
 AS ASSEMBLIES ONLY**

Post 1999