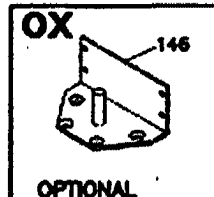
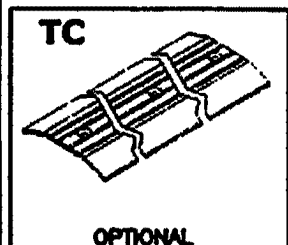
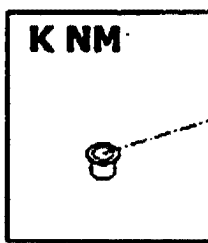
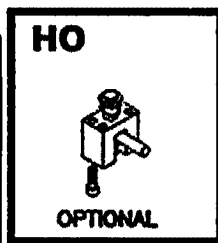
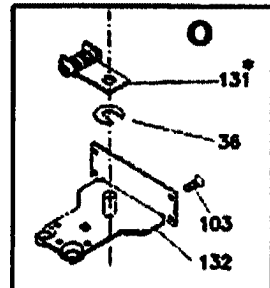
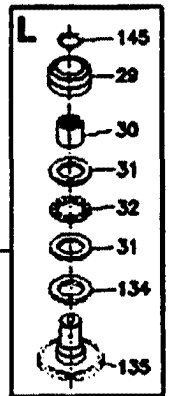
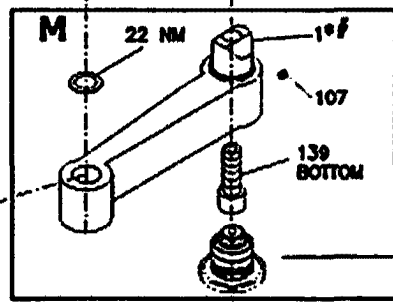
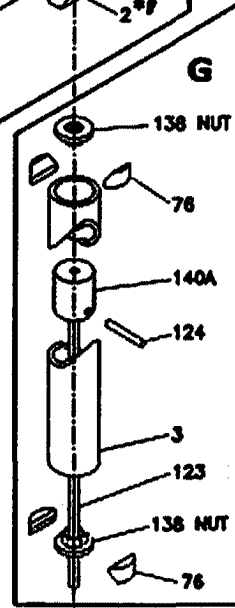
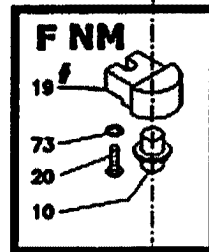
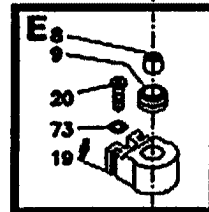
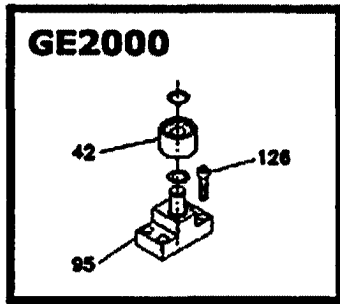
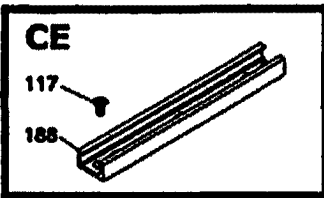
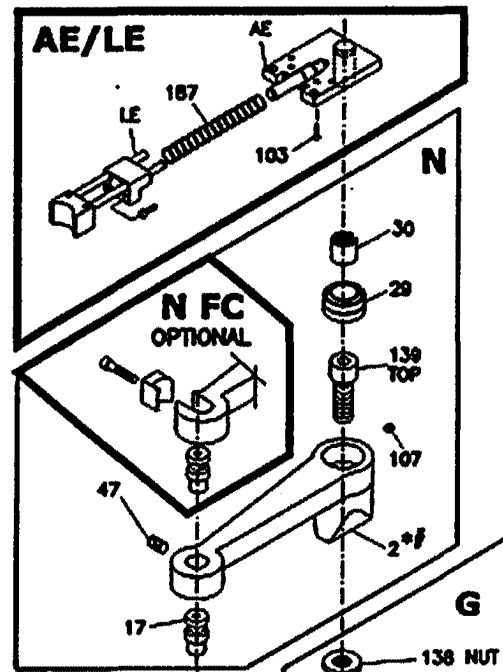
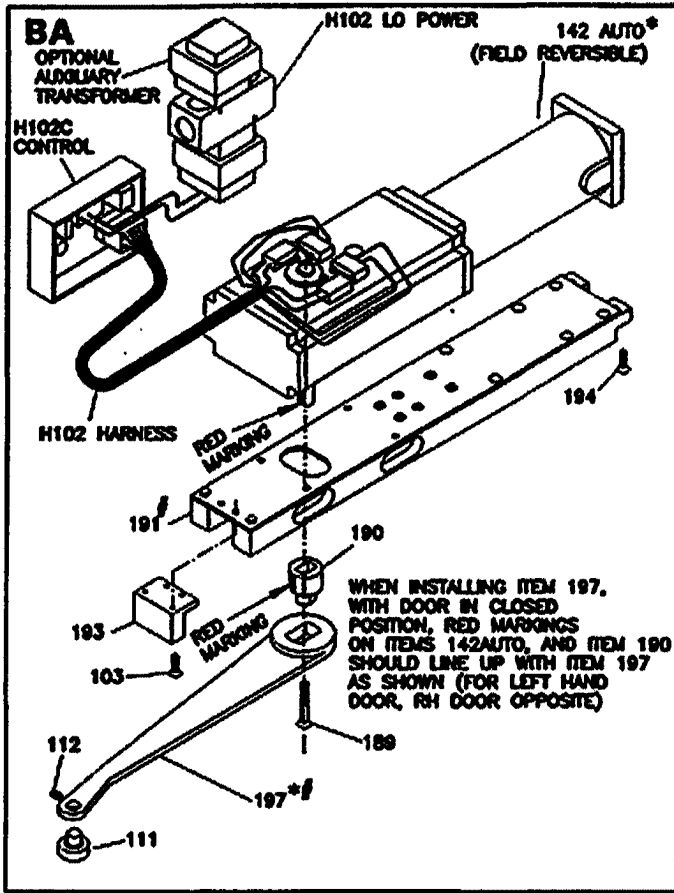




Balanced Door Parts

PACIFIC DOOR & CLOSER CO., INC.
 725 Cesar Chavez, San Francisco, CA 94124
 Phone: (800) 995-0573
 Fax: (800) 962-2893
 www.pacificdoorcloser.com

WIKK EXCEL AUTOMATIC BALANCED HARDWARE CONCEALED HINGE TUBE



NOTES:
 1. LEFT HAND SHOWN
 RIGHT HAND OPPOSITE
 2. PARTS ARE SHOWN
 WITH THE DOOR IN
 THE CLOSED POSITION
 3. * = HANDED PART
 4. # = FINISH
 DEPENDENT

**PARTS INSIDE BOLD
 BORDERS ARE SOLD
 AS ASSEMBLIES ONLY**

Post 1999